



PROFESIONAL VERGE MOWER

ZF2 Series



FOR PROFESSIONAL ROAD SIDE MAINTENANCE

The ZF2 is a very robust professional articular offset flail mower, designed specifically for the maintenance of roadside verges, embankments, ditch sides etc.

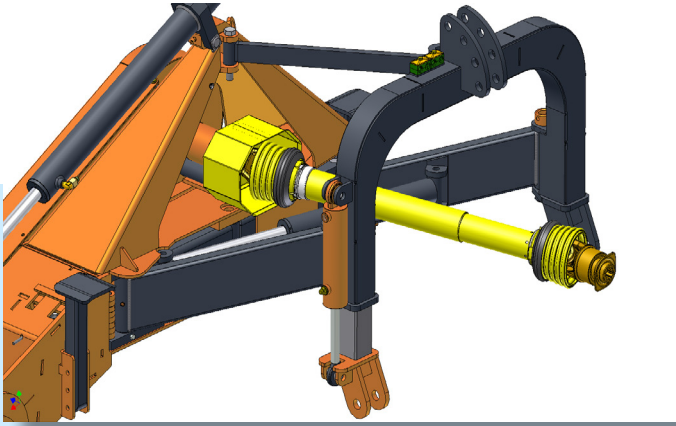
Its articulation range of 155° (+90° to -65°) and its hydraulic side-shift of 70 cm (27") give the machine utmost flexibility to work around obstacles such as poles, trees etc. and to deal with variations in ground level.

*Heavy duty verge mower. Robust and reliable.
Most cost effective solution for road side profs.*

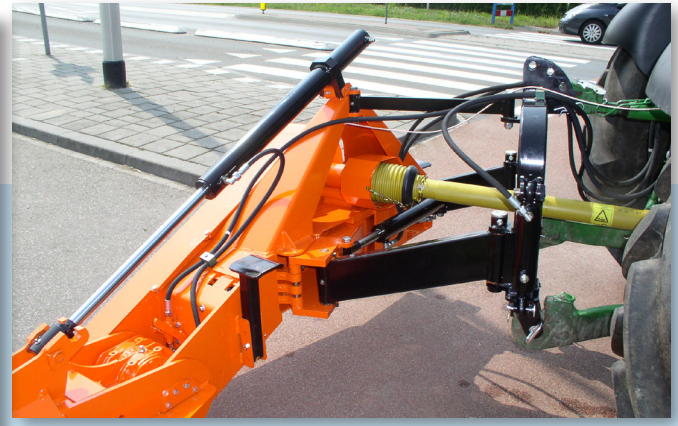


ZF2 SERIES

Professional verge mowers



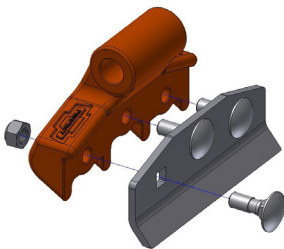
The standard configuration includes a 70 cm (27") hydraulic offset feature. The optional "Hydro-lift" option Allows for one sided lifting of the mowing head over 35 cm (15,5"). This makes it possible to mow shallow ditches with a (too) large mowing head.



A unique large deflection breakaway device ensures maximum protection. The pto power is transmitted to the flail rotor through a 5-fold power belt, which is automatically kept at the right tension. A flexible coupler eliminates peak strokes on the drive system.

FLAIL OPTIONS

The ZF2 can either be equipped with 0,9 kg (2 lb) standard flails for finest cut or 2,2 kg (5 lb) universal flails. For clients wanting best of both worlds are (2,7 kg) Combi-flails available. They come with a replaceable and permanently sharp cutting edge.



EXTRA'S

- Front mount model
- Left hand model
- 2,2 kg flails
- 2,7 kg Combi-flails
- Pro-fix flai I mounting

Technical specifications	ZF2-150	ZF2-180	ZF2-210	ZF2-240
Working width (cm/ inch)	150/ 4'9"	180/ 5'9"	210/ 6'9"	240/ 7'9"
Speed:				
- PTO shaft (rpm)	1000	1000	1000	1000
- flail shaft (rpm)	2230	2230	2230	2230
Required min. power (kW/ HP)	44/ 60	50/ 68	55/ 75	65/ 88
Flails 0.9/ 2.2 (kg) - 1.98/ 4.85 (lb)	16/9	18/12	22/12	24/16
Transport width (cm/ inch)	187/ 6'1"	187/ 6'1"	187/ 6'1"	187/ 6'1"
Tractor coupling system (cat.)	II	II	II	II
Weight (kg/ lb)	890/ 1962	940/ 2072	990/ 2183	1050/ 2315
Offset from tractor centre:				
- minimum (cm/ inch)	255/ 8'4"	285/ 9'4"	315/ 10'3"	345/ 11'3"
- maximum (cm/ inch)	325/ 10'7"	355/ 11'6"	385/ 12'6"	415/ 13'6"

As our policy is one of continuous improvement, we reserve the right to change the specification or to modify the desing without prior notice



Van Wamel B.V.

📍 **Van Wamel B.V.**
Energieweg 1, 6658 AE
Beneden Leeuwen
The Netherlands

☎ +31 (0) 487 59 29 44
☎ +31 (0) 487 59 29 44
@ www.vanwamel.nl
📧 perfect@vanwamel.nl

Your PERFECT dealer